

INSTALLATION MANUAL

69530C

Level of Difficulty

Easy

Installation difficulty levels are based on time and effort involved and may vary depending on the installer level of expertise, condition of the vehicle and proper tools and equipment.

Weight Carrying Capacity

Gross trailer weight (GTW)	6,000 lbs.
Tongue weight (TW)	600 lbs.

Weight Distribution Capacity

Weight distribution (WD)	7,500 lbs.
WD tongue weight (WDTW)	750 lbs.

Parts List

You will be using existing hardware..

Tools Required

Ratchet	Torque wrench
Socket, 13mm	Socket, 21mm
Utility knife	Safety glasses

⚠ WARNING

Never exceed the vehicle manufacturer's recommended towing capacity.

Product Photo



⚠ CAUTION

Due to the diesel exhaust fluid (DEF) tank location, it will need to be lowered to access the passenger side bolts. It is highly recommended that the tank is well supported before removing the fasteners as the tank may weigh as much as 80 lbs.

NOTICE

Before you begin installation, read all instructions thoroughly.

Proper tools will improve the quality of installation and reduce the time required.

This installation requires you to lower the DEF tank on diesel models. Some trimming of excess caulk may be required. You will be using existing fasteners. No drilling is required

Periodic inspection of the trailer hitch should be performed to ensure all mounting hardware remains tight and structural components are secure.

To help prevent damage to the product or vehicle, refer to the specified torque specifications when securing hardware during the installation process.

SAFETY INSTRUCTIONS

Safety glasses should be worn at all times while installing this product.

Warranty Information

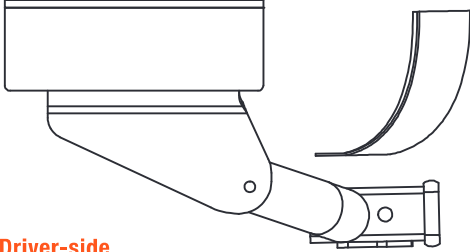
Our products are backed by industry-leading warranties. For a copy of the product warranties or to provide feedback, please contact our support line using the phone number at the bottom of this document.

ASSEMBLY

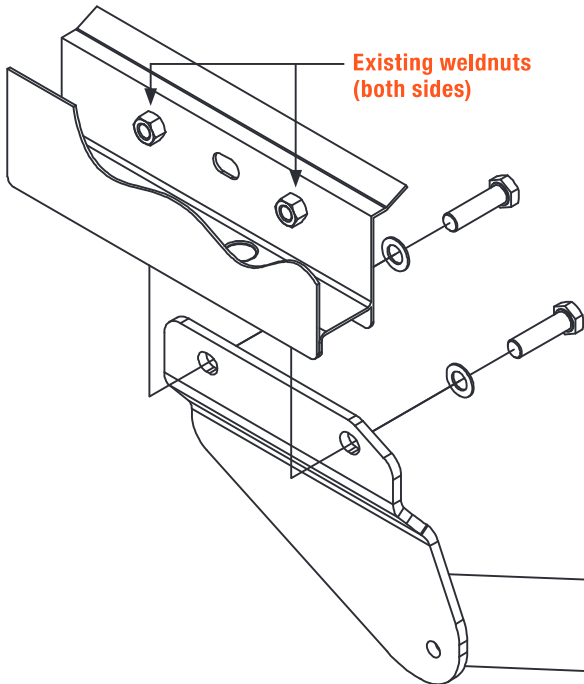
NOTICE

You will be using existing vehicle hardware

Installed hitch position



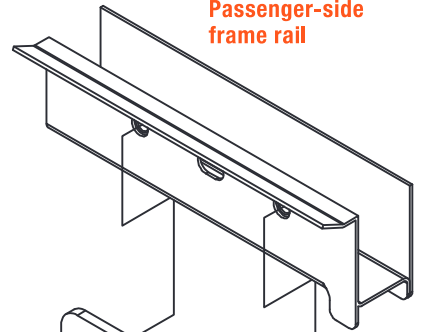
Driver-side frame rail



Existing weldnuts (both sides)

Existing hardware (both sides)

Passenger-side frame rail



FRONT
REAR

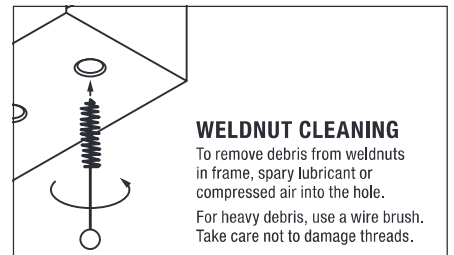
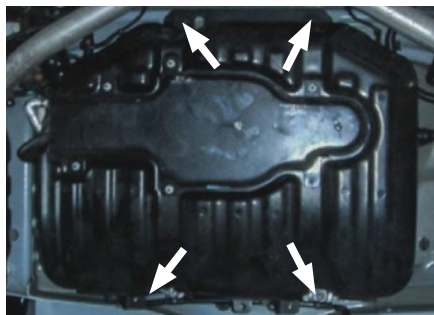
DEF Tank Fastener Locations

CAUTION

Do not remove the filler pipe from the DEF tank. The tank should be free to rotate slightly downward on the passenger side for access to the bolts and weld nuts.

CAUTION

Due to the diesel exhaust fluid (DEF) tank location, it will need to be lowered to access the passenger side bolts. It is highly recommended that the tank is well supported before removing the fasteners as the tank may weigh as much as 80 lbs.



WELDNUT CLEANING

To remove debris from weldnuts in frame, spray lubricant or compressed air into the hole. For heavy debris, use a wire brush. Take care not to damage threads.

Step 1

On diesel models, lower the DEF tank by unclipping the electrical connection on the passenger side and sliding the clips off of the rear studs securing the tank.

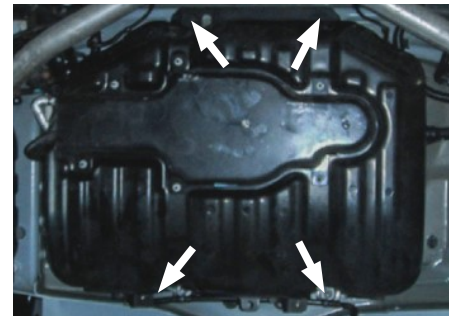
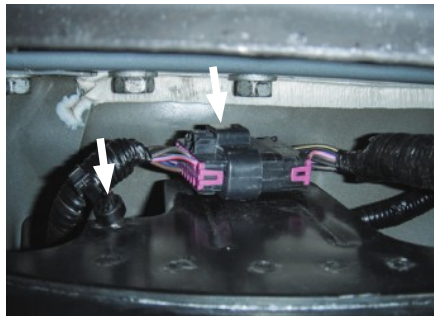
Using a 13mm socket, remove the two rear stud posts and the two forward hex bolts from the tank, see photos.

⚠ CAUTION

Do not remove the filler pipe from the DEF tank. The tank should be free to rotate slightly downward on the passenger side for access to the bolts and weld nuts.

⚠ CAUTION

Due to the diesel exhaust fluid (DEF) tank location, it will need to be lowered to access the passenger side bolts. It is highly recommended that the tank is well supported before removing the fasteners as the tank may weigh as much as 80 lbs.

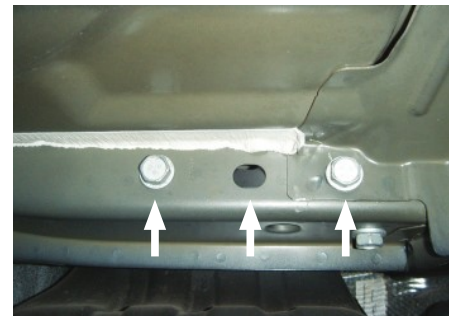
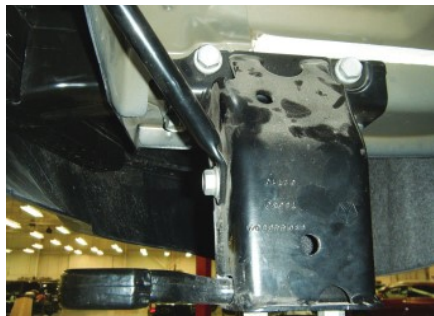


Step 2

Remove the existing M14 bolts. There will be four or six bolts depending on the vehicle model.

Retain four bolts for hitch installation. Return any remaining bolts to the vehicle owner.

Note: If there is a factory tow loop is present you will need to remove it prior to installation. Trim excess caulk on the vehicle frame rails if it interferes with the hitch installation.



Step 3

Raise the trailer hitch into position and reinstall four of the M14 bolts removed in Step 2.

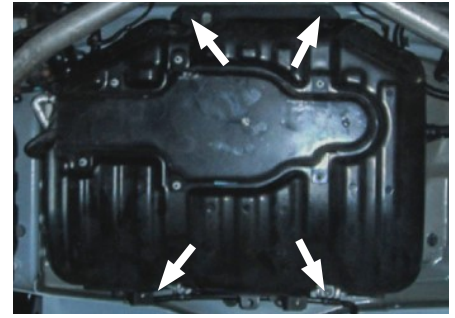
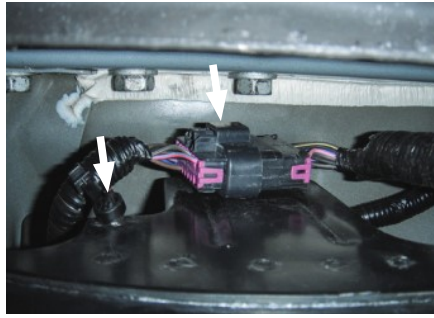
Tighten all M14 hardware to 126 ft-lbs.



Step 4

If lowered, reinstall the DEF tank on diesel models and reconnect electrical components.

Torque DEF tank studs to 21 lb-ft and the DEF tank hex bolts to 24 lb-ft.



Final Installed Image

